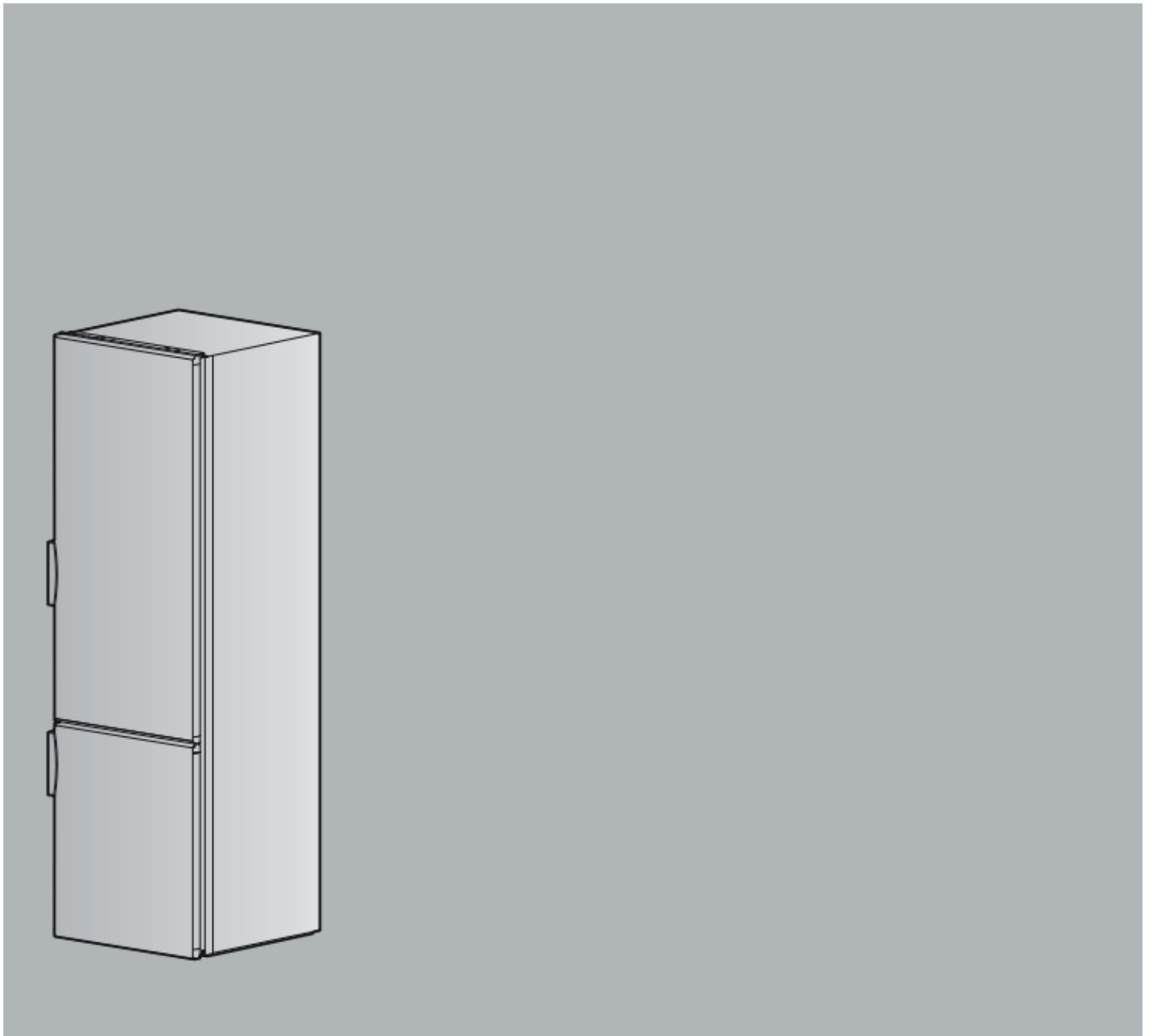
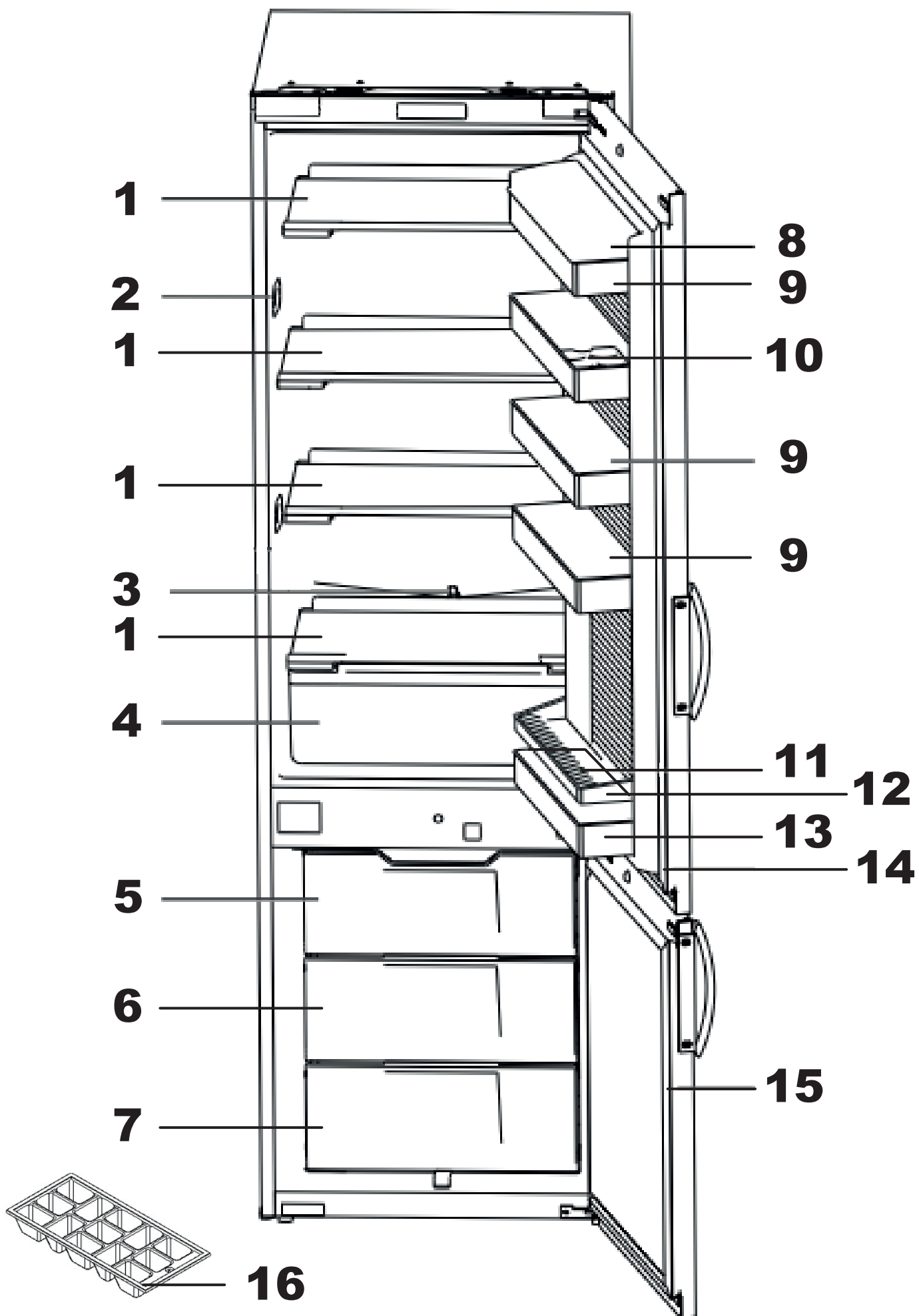


SIBIR



Prestige (EK1422)

Ersatzteile
pièces de rechange
pezzi di ricambio
spare parts



| Pos | Beschreibung | | Art-N° |
|-----------|---|--|-------------------|
| 1 | Glastablar, kurz ripiano vetro, breve | plaque en verre, court glass shelf, short | FO10180173 |
| 2 | Beleuchtung Topled Illuminazione Topled | Eclairage Topled Lighting Topled | FO10179025 |
| 3 | Reiniger Tauwasserablauf pulitore di condensa | pièce nettoyage p. écoulement Lighting Topled | 07948 |
| 4 | Gemüseschublade Cassetto per verdure | bac à légumes vegetable tray | 16614 |
| 5 | Gefriergutschale, oben vassoio p. congelatore | bac de congélation, en haut freezer tray, top | FO10144015 |
| 6 | Gefriergutschale, mitte vassoio p. congelatore | bac de congélation, au milieu freezer tray, center | FO10144032 |
| 7 | Gefriergutschale, unten vassoio p. congelatore | bac de congélation, en bas freezer tray, lower | FO10144029 |
| 8 | Deckel Einhängeschale Coperchio vano porta | couvercle bac de porte door compartment cover | 16603 |
| 9 | Einhängeschale glasklar vano porta trasparente | bac de porte transparent door compartment transparent | FO10150479 |
| 10 | Eierablage glasklar Vassoio per uova tras. | bac des oeufs transparent egg tray transparent | FO10150554 |
| 11 | Flaschenfinger staffa porta bottiglie | support bouteilles (doigts) bottle safety lash | 07979 |
| 12 | Flaschenhalter Listello ferma bottiglie | support bouteilles (barre) bottle holder | 16606 |
| 13 | Einhängeschale weiss vano porta bianco | bac de porte blanc door compartment white | FO10147803 |
| 14 | Türdichtung Kühlen guarnizione della porta | joint de porte réfrigérateur door gasket fridge | FO10150685 |
| 15 | Türdichtung Gefrieren guarnizione della porta | joint de porte congélateur door gasket freezer | 16619 |
| 16 | Eiswürfelschale vaschetta per ghiaccio | bac à glacier ice cube tray | FO10182030 |

Sie benötigen Hilfe? Senden Sie uns eine Mail an parts@sibirgroup.ch
 Vous avez besoin d'aide ? Envoyez-nous un e-mail à parts@sibirgroup.ch
 Avete bisogno di aiuto? Inviatemi un'e-mail a parts@sibirgroup.ch
 Do you need help? Send us an email to parts@sibirgroup.ch